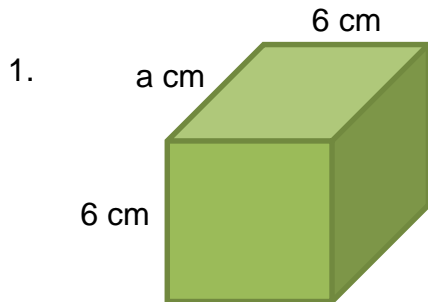


Volume of rectangular prisms

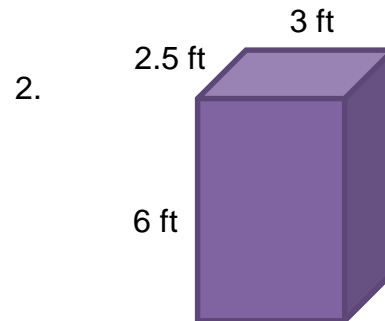
Grade 5 Geometry Worksheet

Volume = length x width x height



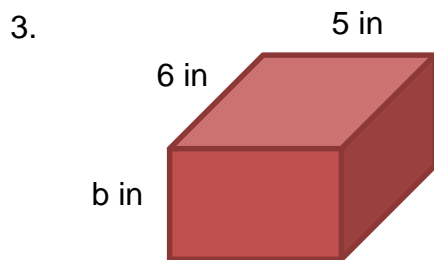
Volume = 288 cm^3

$a = \underline{\hspace{2cm}}$



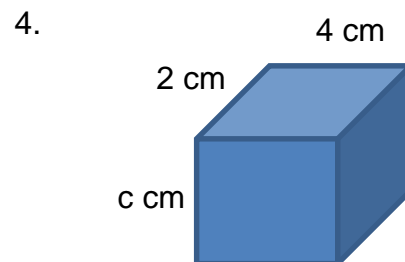
Volume = $\underline{\hspace{2cm}}$

= $\underline{\hspace{2cm}}$



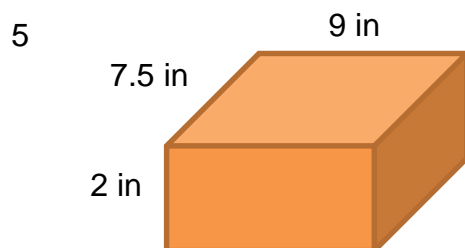
Volume = 90 in^3

$b = \underline{\hspace{2cm}}$



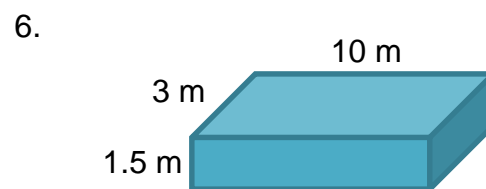
Volume = 28 cm^3

$c = \underline{\hspace{2cm}}$



Volume = $\underline{\hspace{2cm}}$

= $\underline{\hspace{2cm}}$



Volume = $\underline{\hspace{2cm}}$

= $\underline{\hspace{2cm}}$

Answers

1. $a = 8 \text{ cm}$

2. Volume $= 3 \text{ ft} \times 2.5 \text{ ft} \times 6 \text{ ft}$
 $= 45 \text{ ft}^3$

3. $b = 3 \text{ in}$

4. $c = 3.5 \text{ cm}$

5. Volume $= 9 \text{ in} \times 7.5 \text{ in} \times 2 \text{ in}$
 $= 135 \text{ in}^3$

6. Volume $= 3 \text{ m} \times 10 \text{ m} \times 1.5 \text{ m}$
 $= 45 \text{ m}^3$