

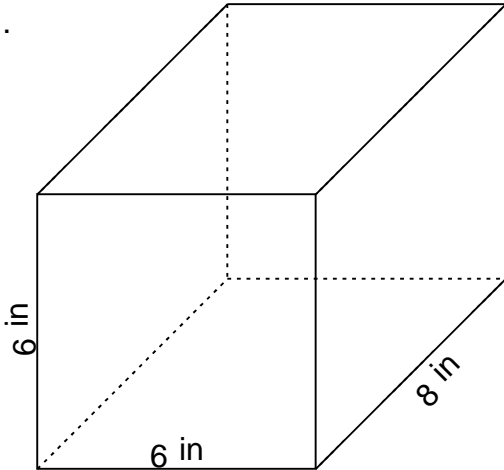
## Rectangular prism - volume & surface area

---

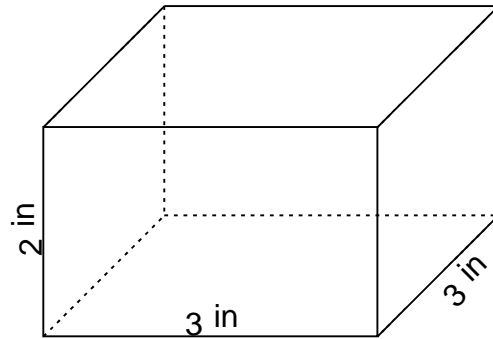
### Grade 5 Geometry Worksheet

Find the volume and surface area.

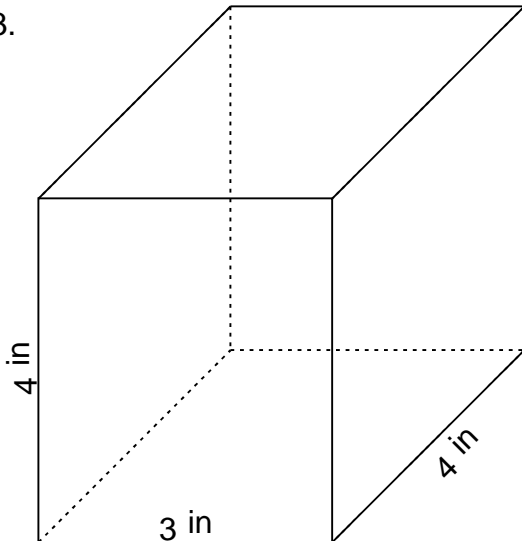
1.



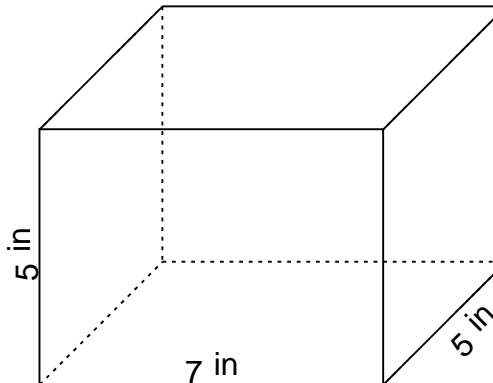
2.



3.



4.

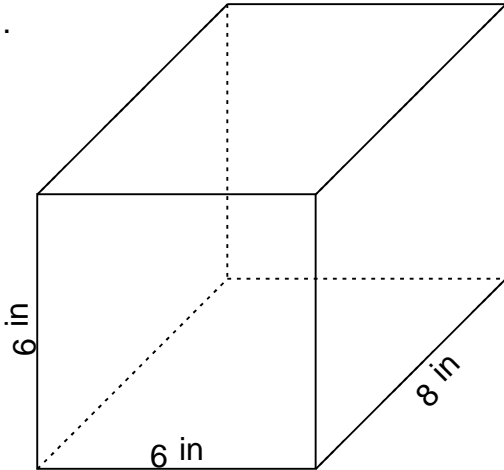


## Rectangular prism - volume & surface area

### Grade 5 Geometry Worksheet

Find the volume and surface area.

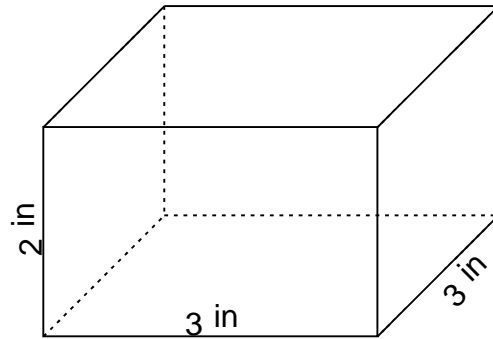
1.



---

$$V = 288 \text{ in}^3 \quad SA = 264 \text{ in}^2$$

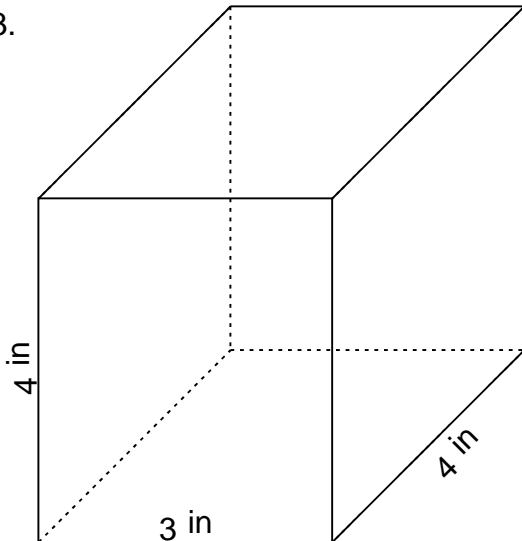
2.



---

$$V = 18 \text{ in}^3 \quad SA = 42 \text{ in}^2$$

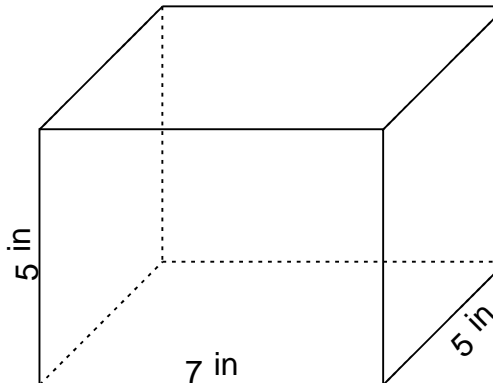
3.



---

$$V = 48 \text{ in}^3 \quad SA = 80 \text{ in}^2$$

4.



---

$$V = 175 \text{ in}^3 \quad SA = 190 \text{ in}^2$$