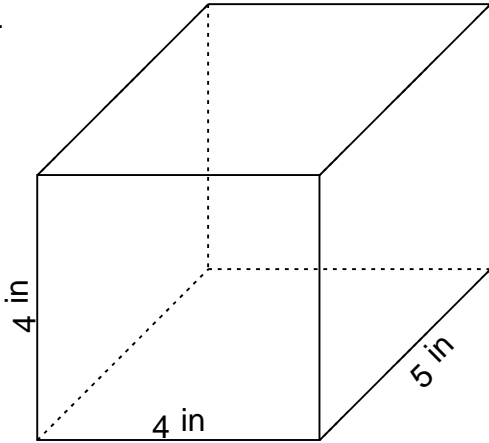


Rectangular prism - volume & surface area

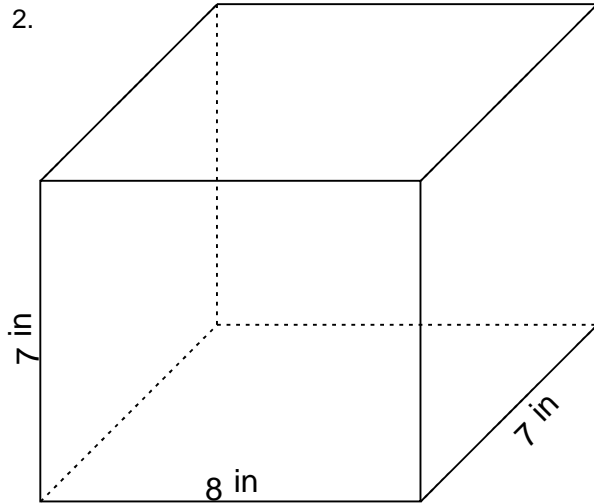
Grade 6 Geometry Worksheet

Find the volume and surface area.

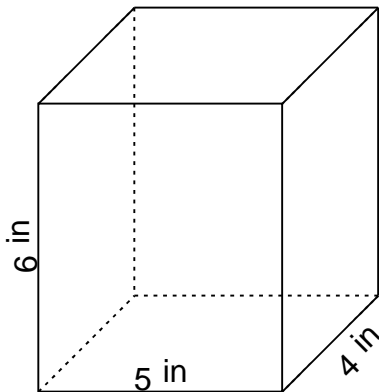
1.



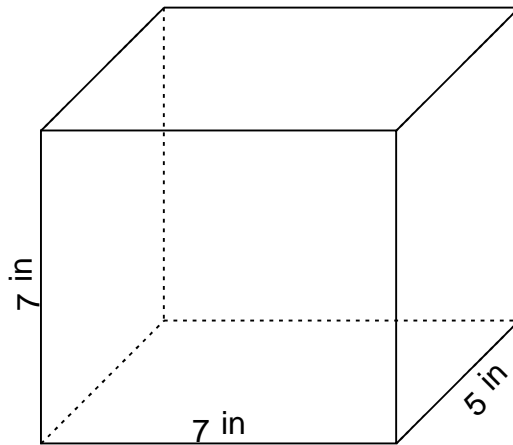
2.



3.



4.

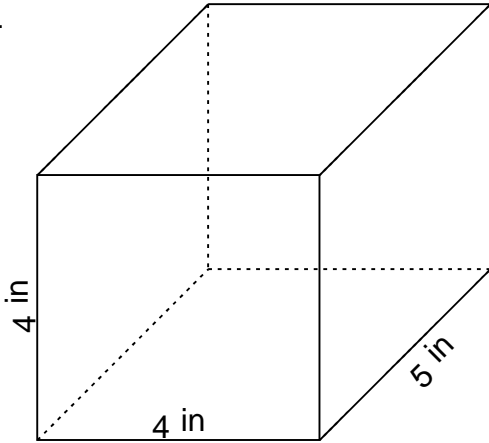


Rectangular prism - volume & surface area

Grade 6 Geometry Worksheet

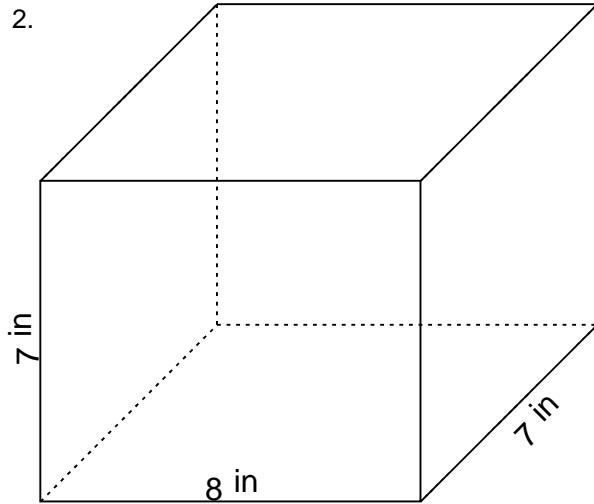
Find the volume and surface area.

1.



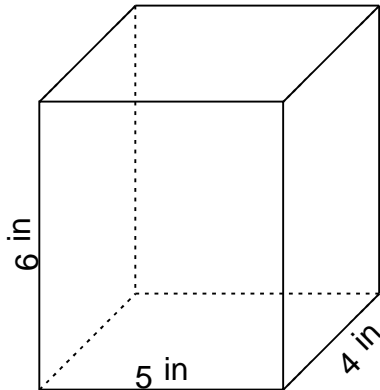
$$V = 80 \text{ in}^3 \quad SA = 112 \text{ in}^2$$

2.



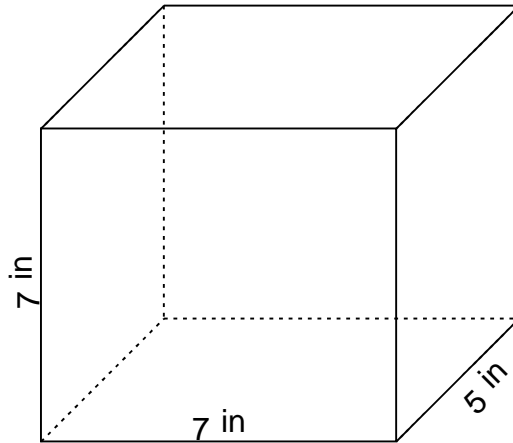
$$V = 392 \text{ in}^3 \quad SA = 322 \text{ in}^2$$

3.



$$V = 120 \text{ in}^3 \quad SA = 148 \text{ in}^2$$

4.



$$V = 245 \text{ in}^3 \quad SA = 238 \text{ in}^2$$