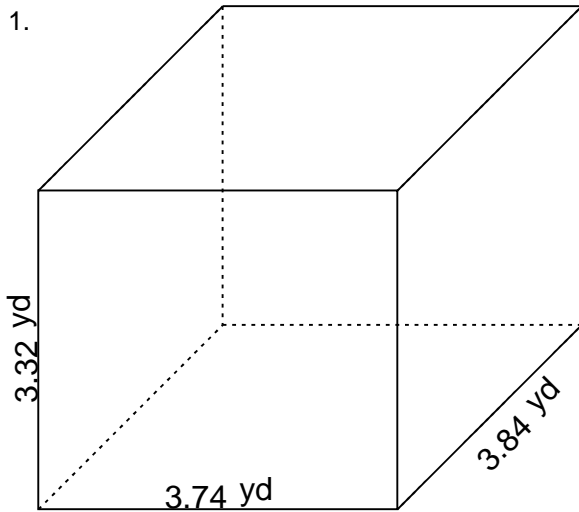


Rectangular prism - volume & surface area

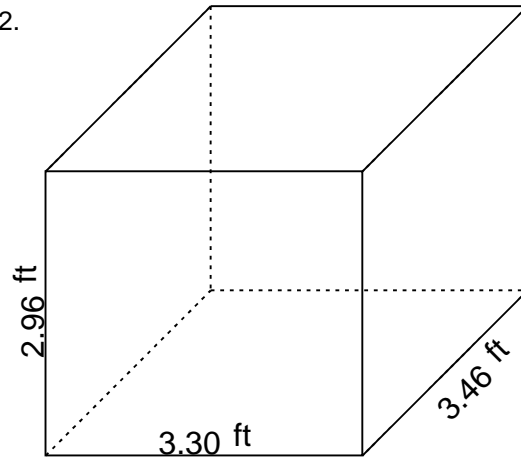
Grade 6 Geometry Worksheet

Find the volume and surface area.

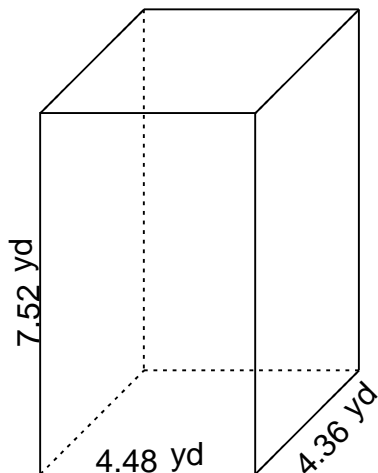
1.



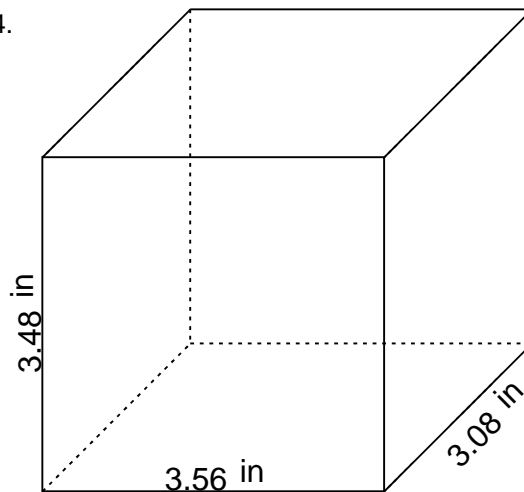
2.



3.



4.

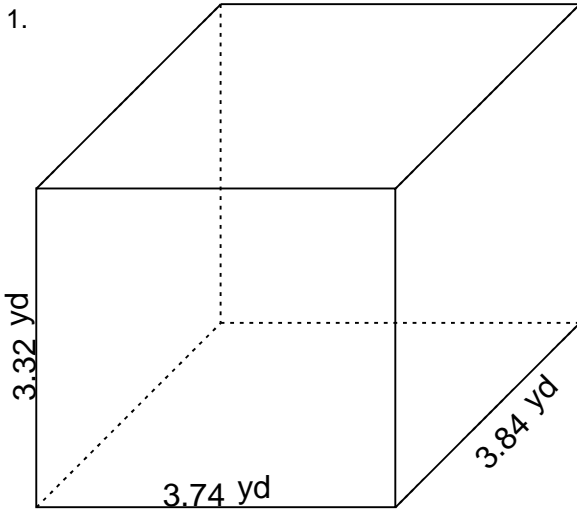


Rectangular prism - volume & surface area

Grade 6 Geometry Worksheet

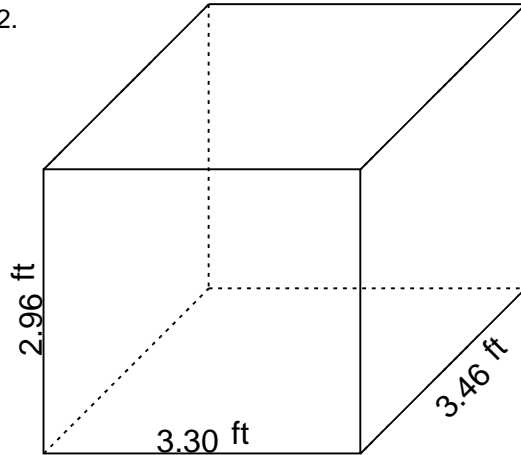
Find the volume and surface area.

1.



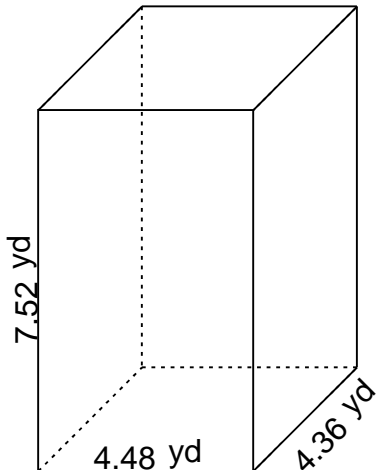
$$V = 47.680512 \text{ yd}^3 \quad SA = 79.0544 \text{ yd}^2$$

2.



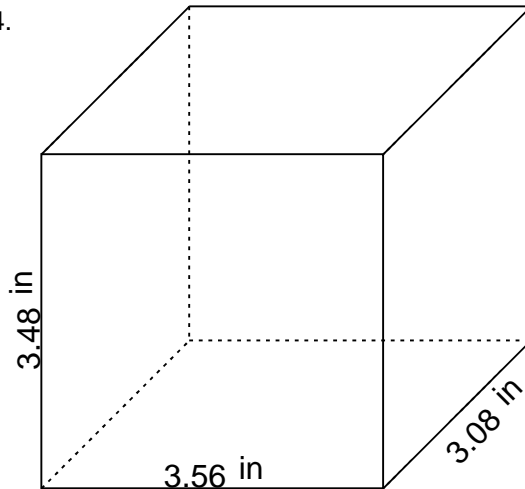
$$V = 33.797280 \text{ ft}^3 \quad SA = 62.8552 \text{ ft}^2$$

3.



$$V = 146.886656 \text{ yd}^3 \quad SA = 172.0192 \text{ yd}^2$$

4.



$$V = 38.157504 \text{ in}^3 \quad SA = 68.1440 \text{ in}^2$$