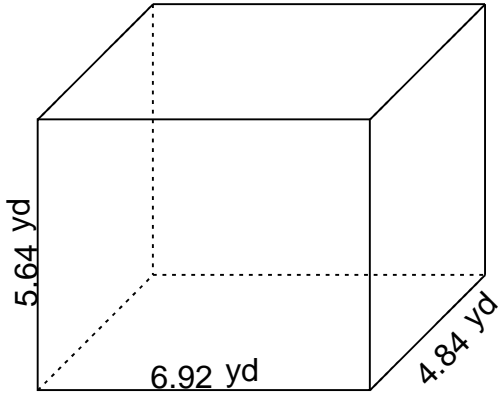


Rectangular prism - volume & surface area

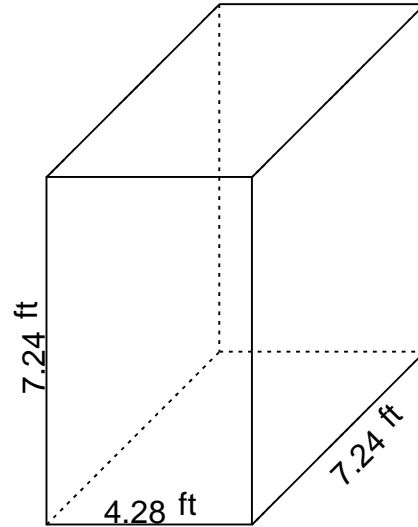
Grade 6 Geometry Worksheet

Find the volume and surface area.

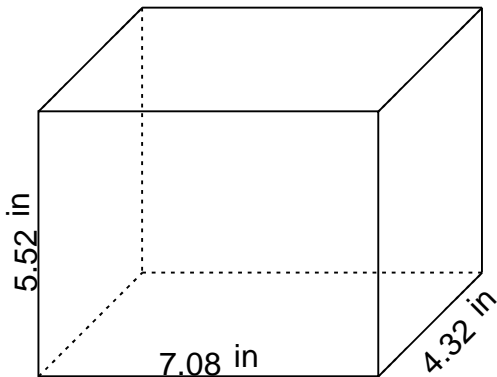
1.



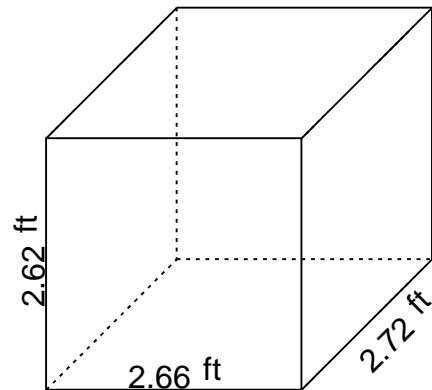
2.



3.



4.

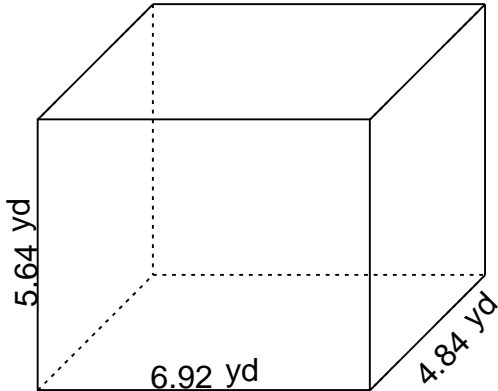


Rectangular prism - volume & surface area

Grade 6 Geometry Worksheet

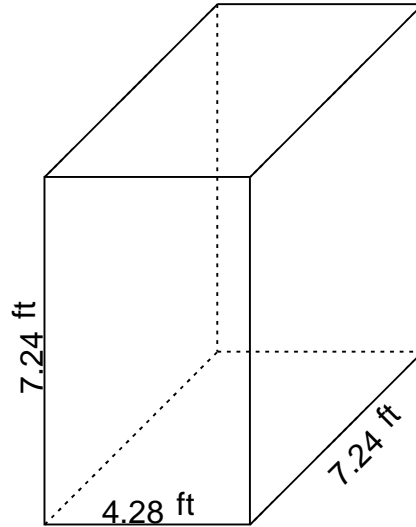
Find the volume and surface area.

1.



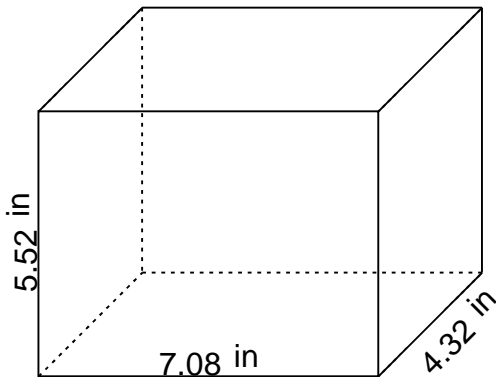
$$V = 188.899392 \text{ yd}^3 \quad SA = 199.6384 \text{ yd}^2$$

2.



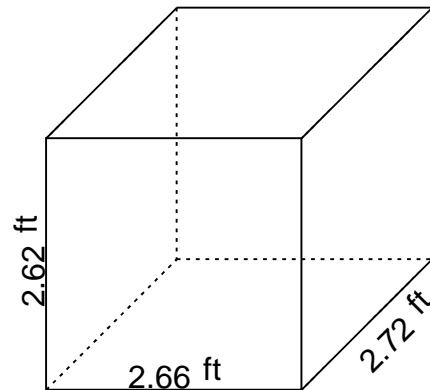
$$V = 224.347328 \text{ ft}^3 \quad SA = 228.7840 \text{ ft}^2$$

3.



$$V = 168.832512 \text{ in}^3 \quad SA = 187.0272 \text{ in}^2$$

4.



$$V = 18.956224 \text{ ft}^3 \quad SA = 42.6616 \text{ ft}^2$$