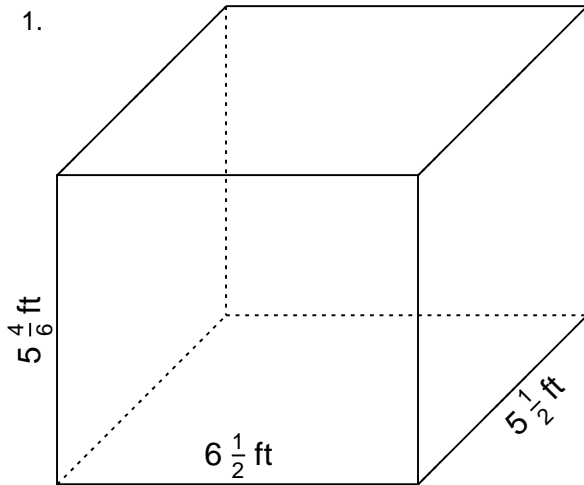


Rectangular prism - volume & surface area

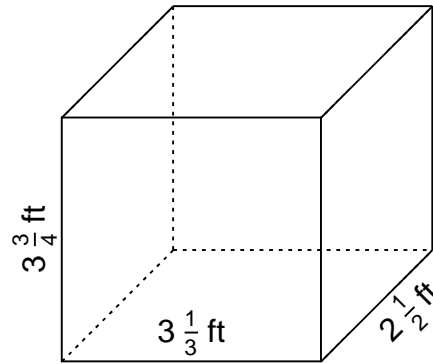
Grade 6 Geometry Worksheet

Find the volume and surface area.

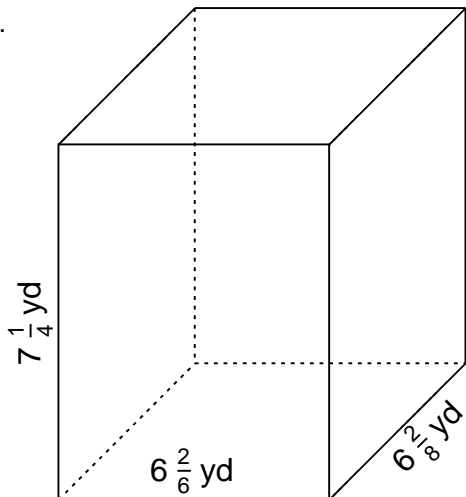
1.



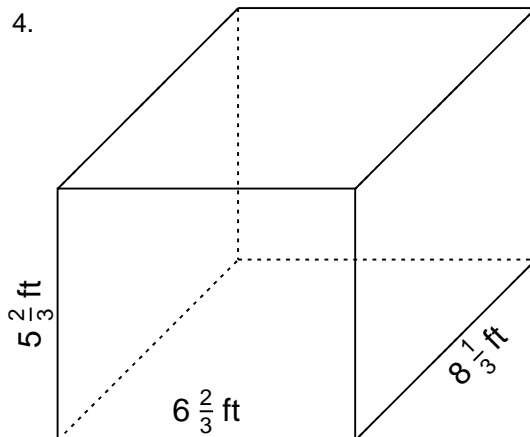
2.



3.



4.

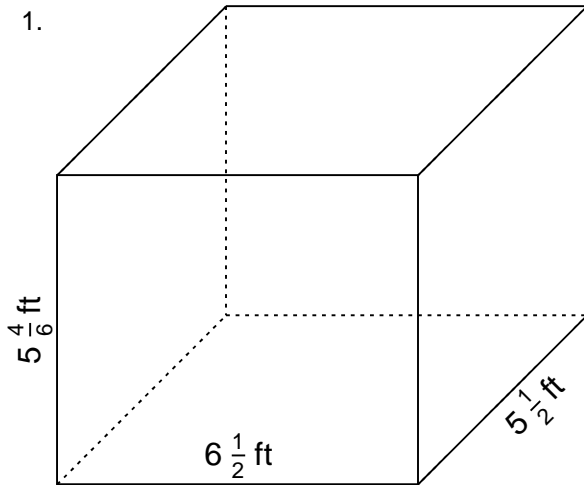


Rectangular prism - volume & surface area

Grade 6 Geometry Worksheet

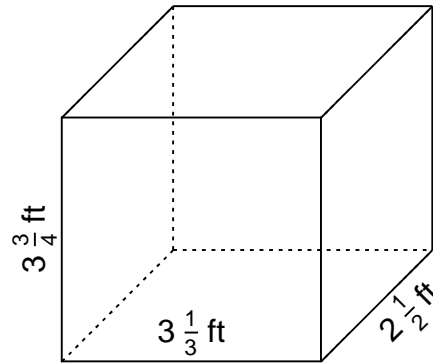
Find the volume and surface area.

1.



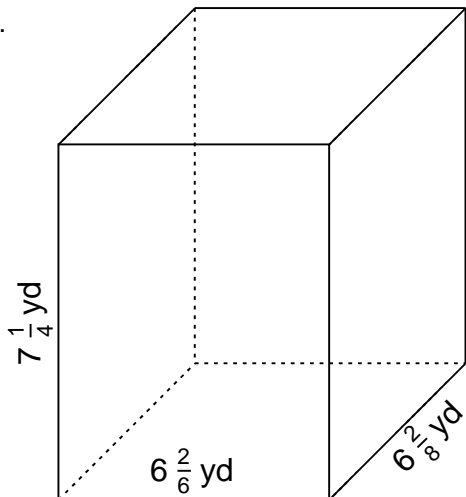
$$V = 202 \frac{7}{12} \text{ ft}^3 \quad SA = 207 \frac{1}{2} \text{ ft}^2$$

2.



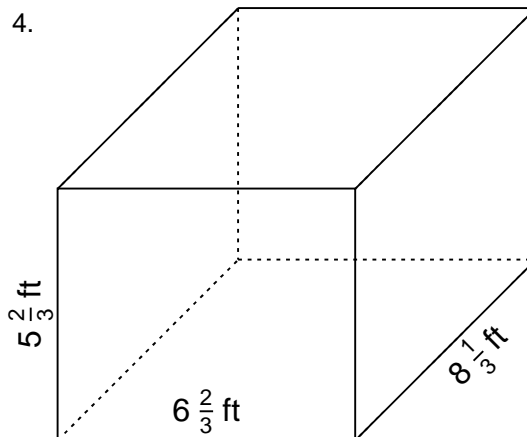
$$V = 31 \frac{1}{4} \text{ ft}^3 \quad SA = 60 \frac{5}{12} \text{ ft}^2$$

3.



$$V = 286 \frac{47}{48} \text{ yd}^3 \quad SA = 261 \frac{5}{8} \text{ yd}^2$$

4.



$$V = 314 \frac{22}{27} \text{ ft}^3 \quad SA = 281 \frac{1}{9} \text{ ft}^2$$