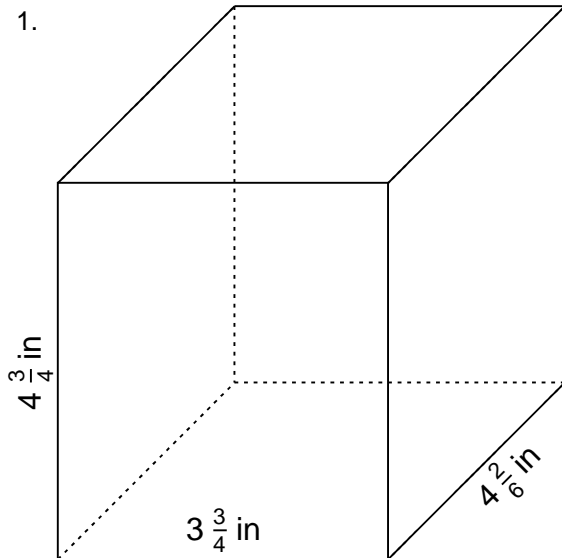


Rectangular prism - volume & surface area

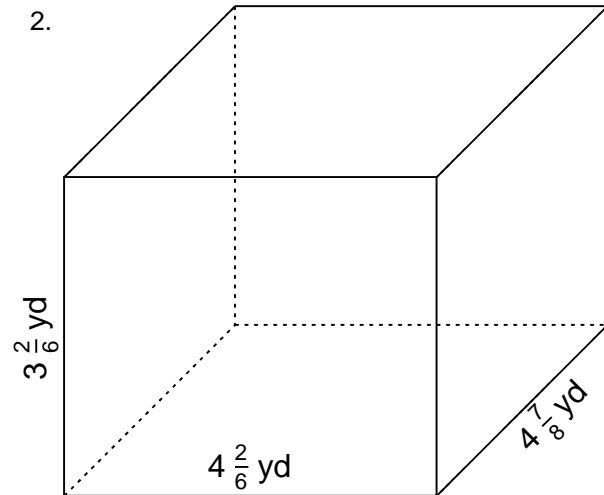
Grade 6 Geometry Worksheet

Find the volume and surface area.

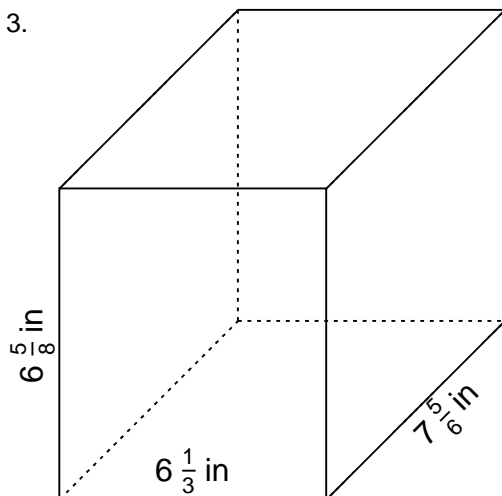
1.



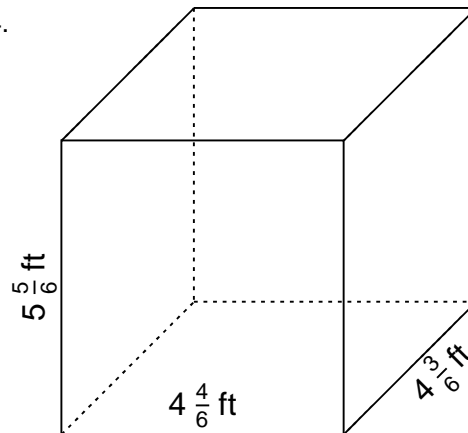
2.



3.



4.

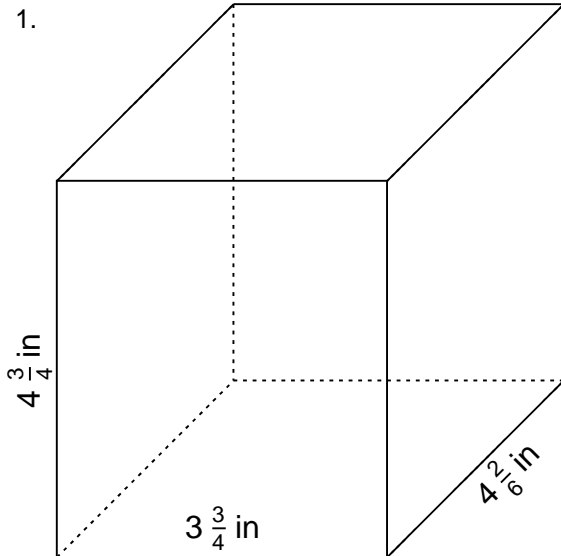


Rectangular prism - volume & surface area

Grade 6 Geometry Worksheet

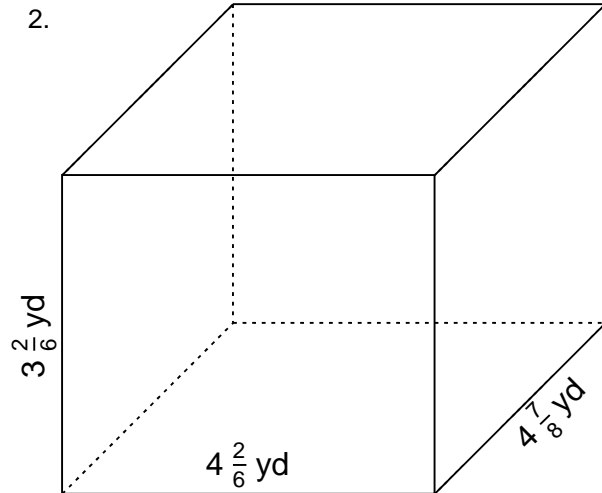
Find the volume and surface area.

1.



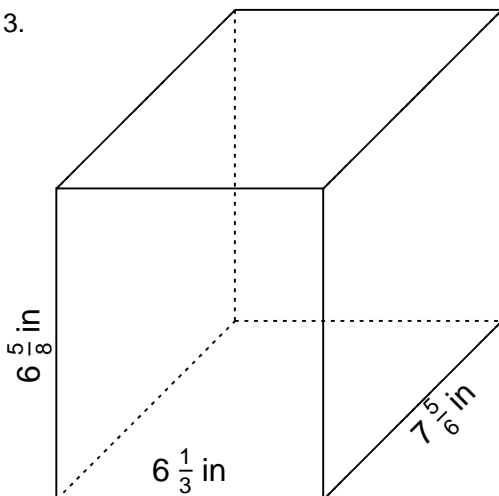
$$V = 77 \frac{3}{16} \text{ in}^3 \quad SA = 109 \frac{7}{24} \text{ in}^2$$

2.



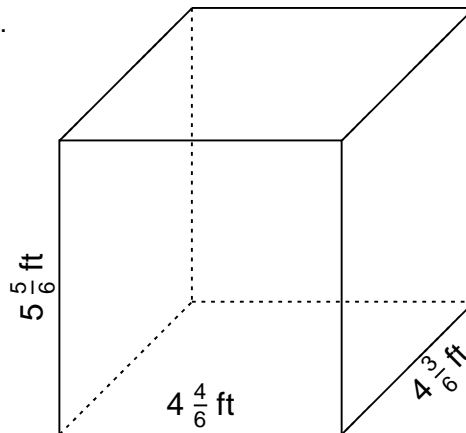
$$V = 70 \frac{5}{12} \text{ yd}^3 \quad SA = 103 \frac{23}{36} \text{ yd}^2$$

3.



$$V = 328 \frac{97}{144} \text{ in}^3 \quad SA = 286 \frac{67}{72} \text{ in}^2$$

4.



$$V = 122 \frac{1}{2} \text{ ft}^3 \quad SA = 148 \frac{17}{18} \text{ ft}^2$$