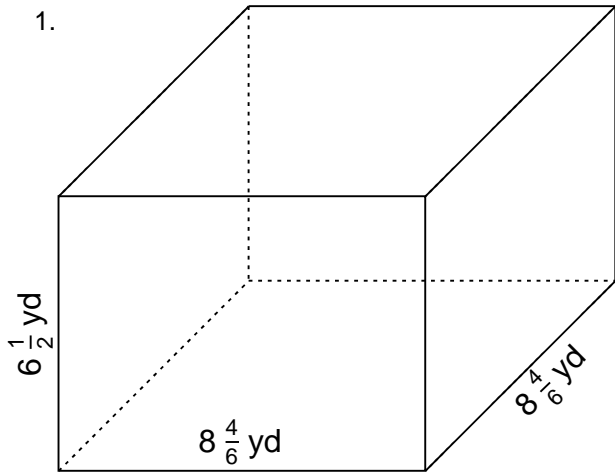


Rectangular prism - volume & surface area

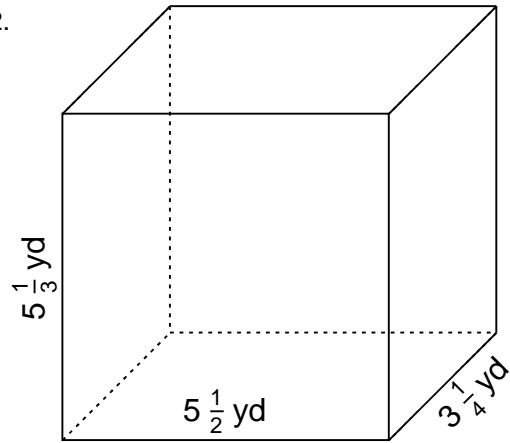
Grade 6 Geometry Worksheet

Find the volume and surface area.

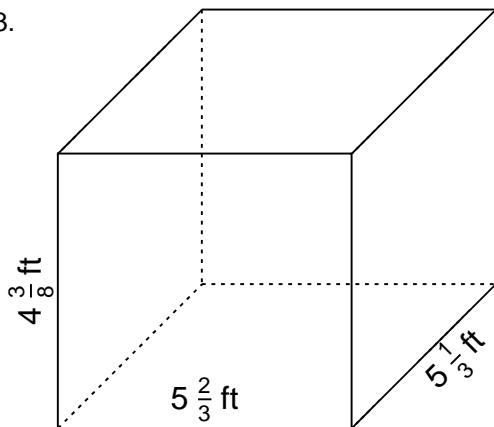
1.



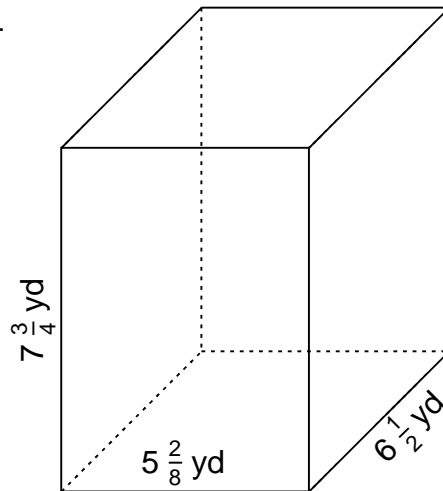
2.



3.



4.

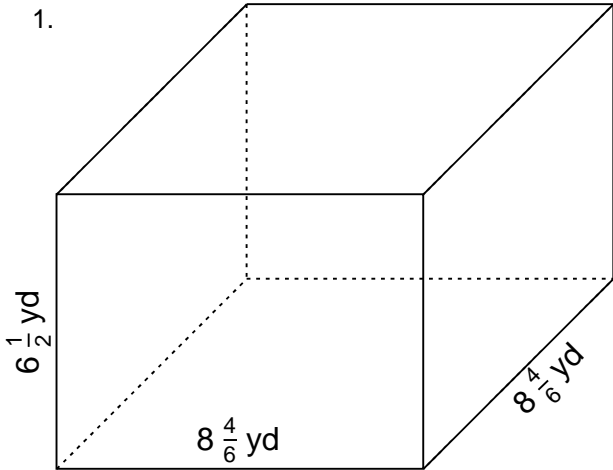


Rectangular prism - volume & surface area

Grade 6 Geometry Worksheet

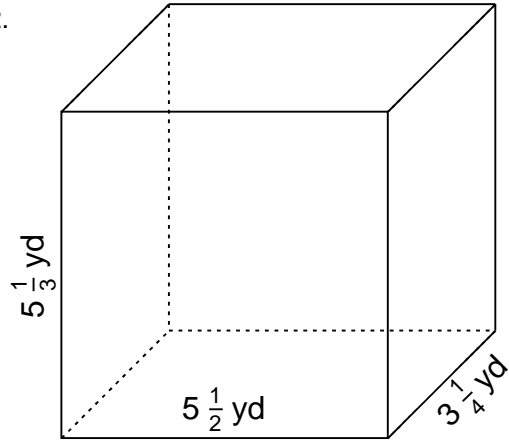
Find the volume and surface area.

1.



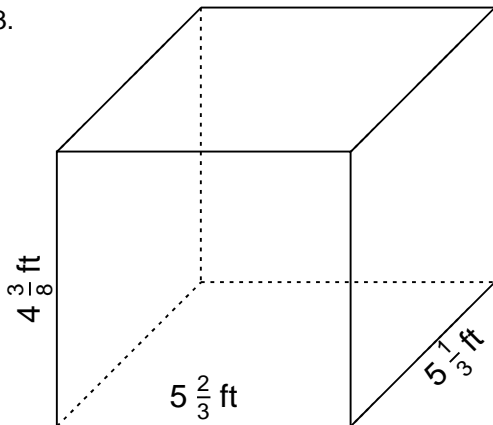
$$V = 488 \frac{2}{9} \text{ yd}^3 \quad SA = 375 \frac{5}{9} \text{ yd}^2$$

2.



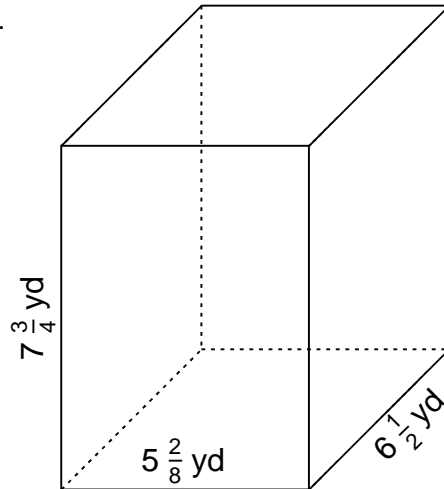
$$V = 95 \frac{1}{3} \text{ yd}^3 \quad SA = 129 \frac{1}{12} \text{ yd}^2$$

3.



$$V = 132 \frac{2}{9} \text{ ft}^3 \quad SA = 156 \frac{25}{36} \text{ ft}^2$$

4.



$$V = 264 \frac{15}{32} \text{ yd}^3 \quad SA = 250 \frac{3}{8} \text{ yd}^2$$