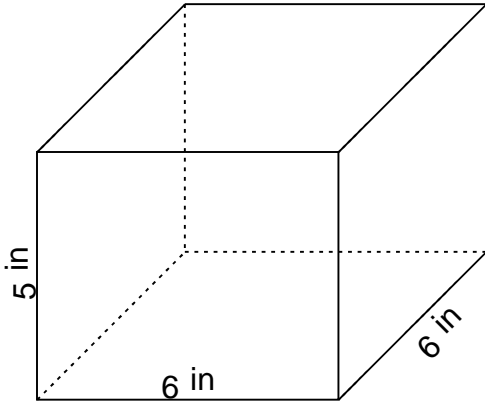


Volume & surface area of 3D shapes

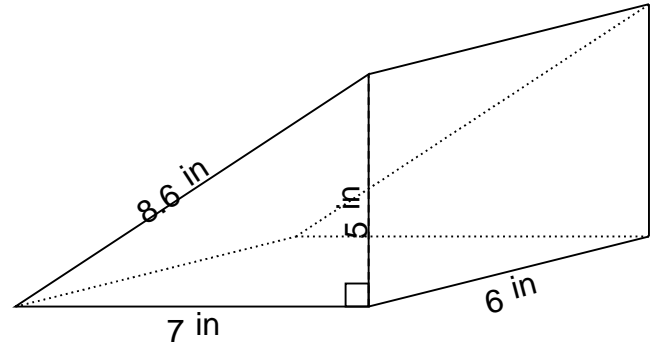
Grade 6 Geometry Worksheet

Find the volume and surface area.

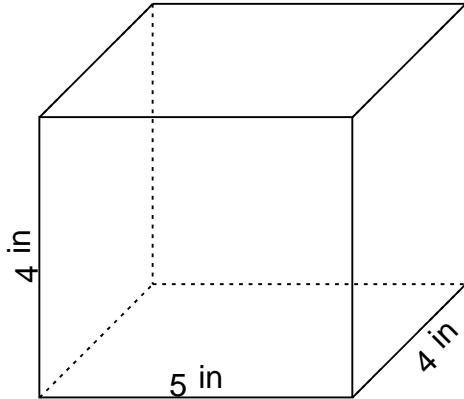
1.



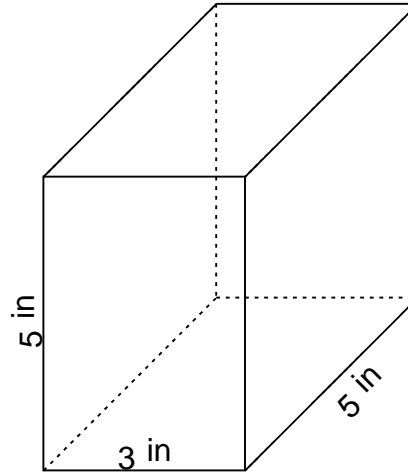
2.



3.



4.

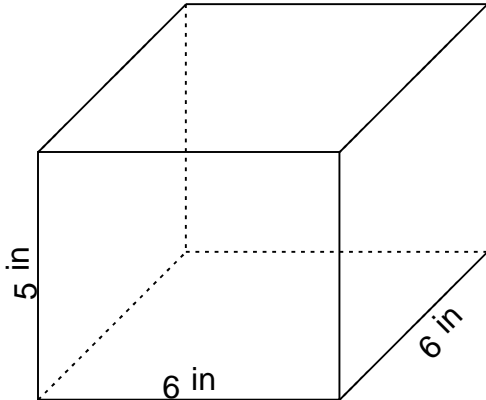


Volume & surface area of 3D shapes

Grade 6 Geometry Worksheet

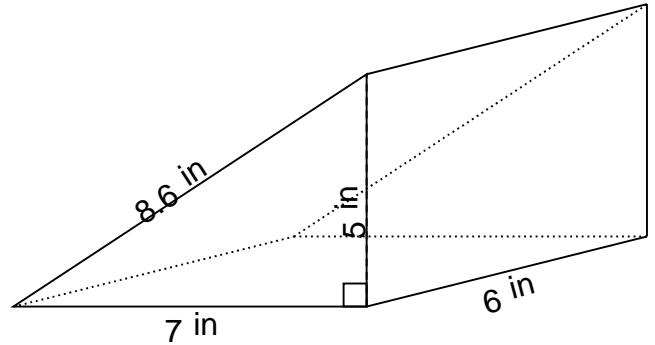
Find the volume and surface area.

1.



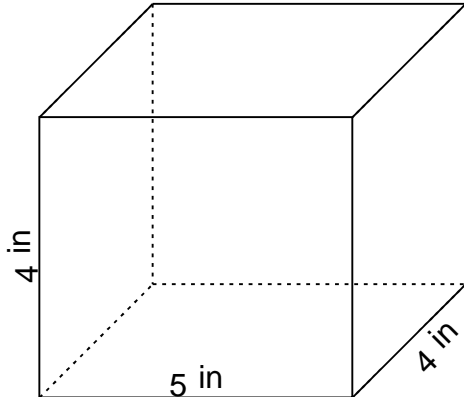
$$V = 180 \text{ in}^3 \quad SA = 192 \text{ in}^2$$

2.



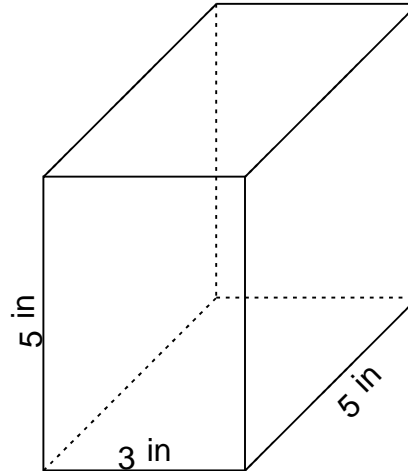
$$V = 105 \text{ in}^3 \quad SA = 158.6 \text{ in}^2$$

3.



$$V = 80 \text{ in}^3 \quad SA = 112 \text{ in}^2$$

4.



$$V = 75 \text{ in}^3 \quad SA = 110 \text{ in}^2$$